



Knowledge to Shape Your Future



# Gas Measurement Product Line

Model	Temperature Compensation	M.A.O.P. (psig)	Available Hub Sizes	Hub C/L (centerline “)	Maximum Capacity (natural gas)	Shipping Weight	
	Gallus 2000	NTC	7(psig)	¾” NPT	4.33”	211 scfh G4	3.3 #
	Metris 250	NTC & TC	5(psig) 10(psig) optional	Sprague STD. 1-1/4” NPT 10LT - 20LT - 30LT	6”	250 cfh @ ½” 400 cfh @ 1” 600 cfh @ 2”	8 #
	Metris 250 RM Regulator/Meter RM Orifices : 1/8”, 3/16”, ¼”, 5/16”, 3/8” & ½”	NTC & TC	5(psig) 10(psig) optional	¾” or 1” Inlet Back Outlet Sprague STD. 1-1/4” NPT 10LT - 20LT - 30LT	N/A	250 cfh @ ½” 400 cfh @ 1” 600 cfh @ 2”	14 #
	Metris 250 MB Meter Bank (excludes regulator)	NTC & TC	5(psig) 10(psig) optional	¾” or 1” Inlet Back Outlet Sprague STD. 1-1/4” NPT 10LT - 20LT - 30LT	N/A	250 cfh @ ½” 400 cfh @ 1” 600 cfh @ 2”	10 #
	400A	NTC & TC	10(psig) & 25(psig)	Sprague #4 STD. 1A - 20LT - 30LT 45LT	6-25/32” & 8-1/4”	400 cfh @ ½” 600 cfh @ 1” 900 cfh @ 2” 1175 cfh @ 10 psig 1195 cfh @ 25 psig	13 #
	675A	NTC & TC	25(psig)	Sprague #4 STD. 30LT -45LT	10”	675 cfh @ ½” 1050 cfh @ 1” 1675 cfh @ 2” 2770 cfh @ 25 psig	43 #
	800A	NTC & TC	25(psig)	Sprague #5 STD. 30LT -45LT - 60 LT 100 LT	11”	900 cfh @ ½” 1250 cfh @ 1” 1855 cfh @ 2” 3370 cfh @ 25 psig	43 #
	1000A	NTC & TC	25(psig)	Sprague #5 STD. 45LT - 60 LT 100 LT	11”	1100 cfh @ ½” 1550 cfh @ 1” 2250 cfh @ 2” 4265 cfh @ 25 psig	43 #
	Dattus fM2/fM3 dM2						
	Basic w/Pulse ETC		150(psig)	2” Flange 3” Flange 4” Flange	6-3/4”	2” Flng. /3” flng. Model 1.5M -11M	39 #
	PTZL		175(psig)		9-1/2”	4” Flng. Model 7M -56M	112 #
	Integrated MiniMax						

Distributed in the Midwest By:



1420 Watson Road  
Sullivan, MO 63080

**Guaranteed Personal Service**

**GPS 866.585.8288**

# Gas Measurement Product Line

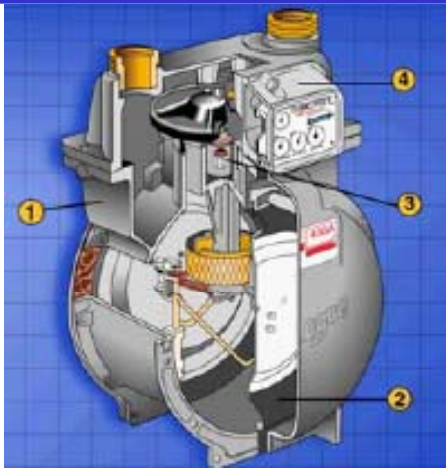
## Compact Design/Looks



## Compact Size – 33% Smaller/Lighter



## Proven Design/Operation



## Modular Design for Replacement

### Modular Versatility



- Regulator/Manifold**
- B42R pressure regulator
  - Pressure taps - regulator inlet, regulator outlet, & meter outlet
  - Cast iron manifold for installation strength
  - Field replaceable regulator diaphragm case



- AMR Compatibility**
- Slant face Sprague Meter mounting design
  - Compatible with all AMR manufacturers



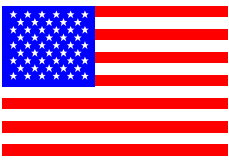
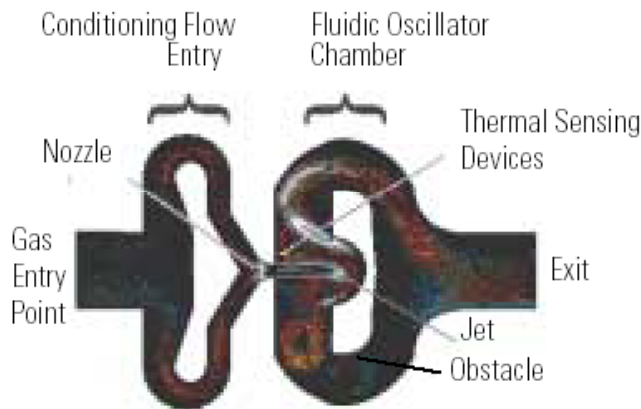
- Measurement Module**
- Common between all 3 versions
  - Seamless single convolution diaphragm
  - Lubrication free bearing surfaces
  - Direct diaphragm support
  - Remanufacture meters in record time



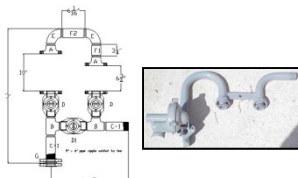
- Die Cast Housing**
- Lifetime warranty\*
  - Bottom case common between all 3 versions

\* See our CERTIFICATE OF LIMITED WARRANTY, Supplement A1T-1, for the full terms applicable to the METRIS Meter.

## Dattus fM2 Metering Principle



Made in The USA



**GAS Products Sales, Inc.**  
1420 Watson Road  
Sullivan, MO 63080

**Thomas V. Gobin**

*Owner/President*  
Cell: 314.520.7362

email: [tgobin@gasproductsales.com](mailto:tgobin@gasproductsales.com)

eFax: 208.694.9273

[www.gasproductsales.com](http://www.gasproductsales.com)

Office 573.860.2195 (Toll Free) 866.585.8238

Guaranteed Personal Service